

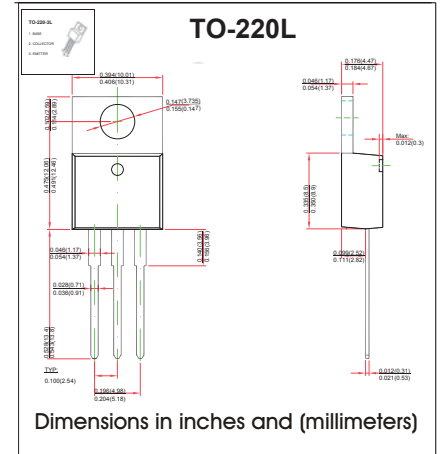
Three-terminal positive voltage regulator

FEATURES

- Maximum output current IOM: 1.5 A
- Output voltage VO: -15V
- Continuous total dissipation
PD: 1.25 W (T_a= 25 °C)

MECHANICAL DATA

- Case: TO-220 Small Outline Plastic Package
- Polarity: Color band denotes cathode end
- Mounting Position: Any



ABSOLUTE MAXIMUM RATINGS

(Operating temperature range applies unless otherwise specified)

Parameter	Symbol	Value	Unit
Input Voltage	V _i	-35	V
Thermal Resistance from Junction to Air	R _{θJA}	83.3	°C/W
Operating Junction Temperature Range	T _{OPR}	0~+150	°C
Storage Temperature Range	T _{STG}	-65~+150	°C

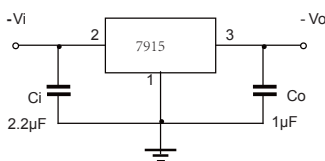
ELECTRICAL CHARACTERISTICS AT SPECIFIED VIRTUAL JUNCTION TEMPERATURE

(V_i=-23V, I_o=500mA, C_i=2.2μF, C_o=1μF, unless otherwise specified)

Parameter	Symbol	Test conditions	Min	Typ	Max	Unit
Output voltage	V _o	25°C	-14.4	-15	-15.6	V
		-17.5V ≤ V _i ≤ -30V, I _o =5mA-1A	0-125°C	-14.25	-15	-15.75
Load regulation	ΔV _o	I _o =5mA-1.5A	25°C	15	200	mV
		I _o =250mA-750mA	25°C	5	75	mV
Line regulation	ΔV _o	-17.5V ≤ V _i ≤ -30V	25°C	5	100	mV
		-20V ≤ V _i ≤ -26V	25°C	3	50	mV
Quiescent current	I _q	25°C		2	3	mA
Quiescent current change	ΔI _q	-17.5V ≤ V _i ≤ -30V	0-125°C		0.5	mA
		5mA ≤ I _o ≤ 1A	0-125°C		0.5	mA
Output noise voltage	V _N	10Hz ≤ f ≤ 100KHz	25°C	375		μV/V _o
Output voltage drift	ΔV _o /ΔT	I _o =5mA	0-125°C	-1		mV/°C
Ripple rejection	RR	-18.5V ≤ V _i ≤ -28.5V, f=120Hz	0-125°C	54	60	dB
Dropout voltage	V _d	I _o =1A	25°C	1.1		V
Peak current	I _{pk}		25°C	2.1		A

* Pulse test.

TYPICAL APPLICATION



RATINGS AND CHARACTERISTIC CURVES

TYPICAL APPLICATION

